



OCEANSTAR®



EXPORTER OF
**HIGH QUALITY
CONSTRUCTION**
MACHINERY AND PRODUCTS

About Us

- ▶ OCEANSTAR OVERSEAS LLP is a leading exporter of high-quality construction machinery and products, committed to delivering excellence and innovation in the construction industry. Established in 2018, our company has grown into a trusted partner for clients around the world, providing a comprehensive range of machinery that meets the highest standards of quality and performance.
- ▶ Our mission is to empower construction projects globally with reliable and efficient machinery that enhances productivity and ensures safety. We envision a future where our advanced technology and unparalleled service contribute to the successful completion of construction endeavors of all scales.
- ▶ At OCEANSTAR OVERSEAS LLP , we pride ourselves on our core values of integrity, customer satisfaction, and continuous improvement. Our dedicated team of professionals works tirelessly to uphold these values, ensuring that every product we deliver meets the specific needs and expectations of our clients. With a strong focus on innovation, we are constantly evolving our product range to include the latest advancements in construction technology.
- ▶ From roller and loaders to cranes and concrete mixers, our diverse portfolio is designed to tackle the most challenging construction tasks with ease and efficiency. Quality assurance is at the heart of everything we do. We adhere to stringent international standards and implement rigorous quality control processes to guarantee the durability and reliability of our machinery. Our commitment to excellence is further evidenced by our numerous certifications, including ISO.
- ▶ We also understand the importance of comprehensive support and maintenance. Our machinery has been instrumental in the completion of numerous high-profile projects, earning us a reputation for reliability and excellence. Join us on our journey to build a better future.
- ▶ Whether you are embarking on a small-scale construction project or a major infrastructure development, OCEANSTAR OVERSEAS LLP is your trusted partner for all your construction machinery needs.
- ▶ For more information, please contact us directly. We look forward to working with you and contributing to your success.

PRODUCT RANGE

CONSTRUCTION MACHINERY



ELECTRICAL PRODUCTS



CONSTRUCTION PRODUCTS



PLUMBING PRODUCTS



FURNITURE COMPONENTS



TILES & SANITARYWARE



CONSTRUCTION MACHINERY



ROAD ROLLER



BACK-HOE



EXCAVATOR



**MINING DRILL
MACHINE**



**CONCRETE VIBRATOR
/ TRUSS SCREED
VIBRATOR**



**POWER-FLOT MACHINE
(RIDE ON / WALK
BEHIND)**



POWER TOOLS



**REINFORCEMENT
CUTTING/BINDING
MACHINE**



**CONCRETE PUMP /
MIXTURE MACHINE**



BUTTWELD MACHINE

CONSTRUCTION PRODUCT



**CONCRETE FLOOR
HARDNER**



**WATERPROOFING
CHEMICALS**



**THERMAL
INSULATIONS**



TILES ADHESIVE

ELECTRICAL PRODUCTS



TRANSFORMER



PANEL BOARD



CABLES



**HIGH QUALITY
LED LIGHT**



MOTERS

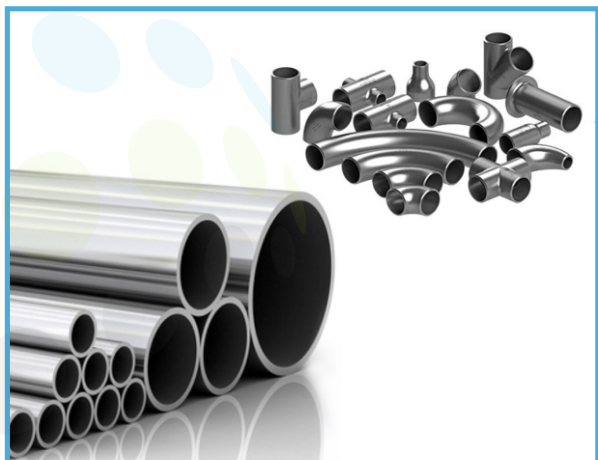


BATTERY

PLUMBING PRODUCTS



**PVC / UPVC / CPVC
/ HDPE
PIPES & FITTINGS**



**STEEL PIPES &
FITTINGS**



WATER PUMPS



**HIGH QUALITY
SANITARY FITTINGS**

TILES



FLOOR TILES



WALL TILES

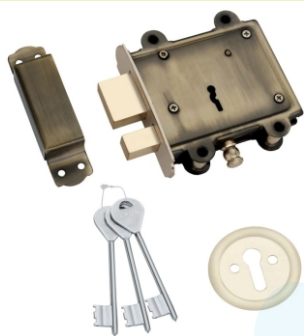


MARBLES



VERANDA TILES

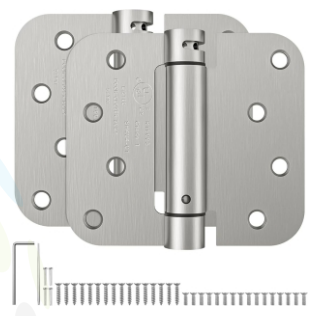
FURNITURE COMPONENTS



DOOR LOCKS



DOOR HANDLE



DOOR HINGES



FINGERPRINT LOCKS



DOOR OPENING SENSOR



TABLE STANDS



DRAWER RUNNER

WHY CHOOSE US?

- ▶ At OCEANSTAR OVERSEAS LLP, we understand that selecting the right partner for your construction machinery/products needs is crucial for the success of your projects. Here are several reasons why we stand out in the industry and why you should choose us as your trusted supplier:
- ▶ Superior Quality and Reliability
- ▶ Advanced Technology
- ▶ Competitive Pricing
- ▶ Global Reach and Timely Delivery
- ▶ Customer-Centric Approach
- ▶ Proven Track Record
- ▶ Choosing OCEANSTAR OVERSEAS LLP means partnering with a company that is dedicated to your success. With our superior products, advanced technology, comprehensive support, and customer-centric approach, we are the ideal choice for all your construction machinery /products needs. Let us help you build the future, one project at a time.



OCEANSTAR
OVERSEAS



OCEANSTAR[®]
OVERSEAS LLP

Office No. 1107, The Millennium,
Nr. Nana Mauva Circle, 150 Ft.
Ring Road, Rajkot 360-005

Phone No.: +91 99988 02458
Email: oceanstaroverseasllp@gmail.com
Web: www.oceanstaroverseas.com

